

□ **P4L-500CF**

□ **P4L-500BNF**



Single Handle Lavatory Faucet



Product Spec Sheet

FEATURES & BENEFITS

- This Product Contains Less Than 0.25% Weighted Average Lead Content On Wetted Surfaces
- One Hole or Three Hole Installation
- Metal Lever Handle
- Ceramic Cartridge
- Optional Deckplate Included
- Integrated Supply Lines
- 50/50 Push Pop-Up
- Max Flow Rate 1.2 GPM (4.5L/Min) At 60 PSI (ASME A112.18.1/A112.18.1)

Approvals:

Meets or Exceeds The Following:

- * ASME A112.18.1/CSA B125.1
- * NSF/ANSI 61
- * NSF/ANSI 372
- * IAPMO/cUPC
- * CA AB1953
- * ADA Compliant
- * EPA WaterSense
- * NSF/ANSI/CAN 61: $Q \leq 1$

P4L-500CF
Chrome Finish

P4L-500BNF
Brushed Nickel Finish



TEL: 855-806-0688

FAX: 845-350-4043

Visit Our Web Site : www.plumb4orce.com

□ **P4L-500CF**

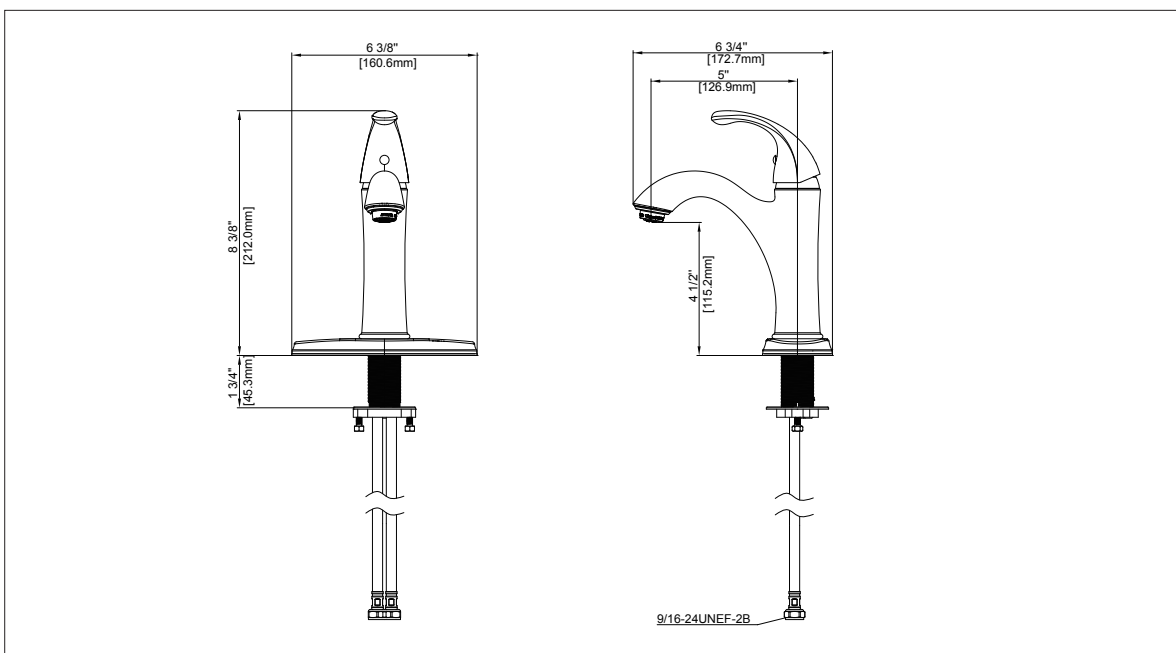
□ **P4L-500BNF**



Single Handle Lavatory Faucet

No.	Name	Part No.
1	Index / Índice	RP10042
2	Set screw / Tornillo de fijación	RP50002
3	Handle / Llave	RP13768*
4	Cap / Tapa	RP80344*
5	Bonnet / Bonete	RP70539
6	Screw / Tornillo	RP50200
7	Cartridge / Cartucho	RP20090
8	Aerator / Aireado	RP30187
9	Flange / Brida	RP80345*
10	Escutcheon / Placa protectora	RP80346*
11	Gasket / Junta	RP80753
12	Rubber washer / Arandela de hule	RP64131
13	Metal washer / Arandela metálica	RP64188
14	Nut & Screw / Tuerca y Tornillo	RP56115
15	Pop-up assembly / Ensamblaje emergente	RP40317*

* Specify Finish
* Especifique el Acabado



Product Spec Sheet

TEL: 855-806-0688 FAX: 845-350-4043

Visit Our Web Site : www.plumb4orce.com